

ALARMAGENT.com™



wireless. web-based. worthy of the name **RACO.**

**reliable monitoring
unequaled accessibility
on-demand reporting**



***wireless, web-based alarm detection
and notification system from RACO
designed specifically for water and
wastewater pump applications***

Dependable alarm monitoring and detection. Highly-customizable notification preferences. Around-the-clock status access from almost anywhere. Simple administration of WRTUs, preferences, users, reporting parameters, and more.

AlarmAgent.com's report generation capability is optimized for pump applications. Users can spot clogged or malfunctioning pumps in time to prevent a major disaster. And, for the first time, small pump stations can report flow data *without* a flow meter. All this and more!

AlarmAgent.com combines the latest in data communications and wireless technology with the reliability and reputation of RACO's half-century of industry experience.

wireless rtu

features

- 1 Totally Wireless RTU**
Easy to install. Goes where landlines can't, with 98% availability across North America.
- 2 Reliable, Web-Based Communication**
Triple redundant, secure Web site links WRTU with AlarmAgent.com system.
- 3 Secure, 24/7 Access**
Retrieve equipment and status info anytime, from any Web-enabled device or by calling a toll-free number.
- 4 Robust Monitoring & Control Functionality**
Simple configuration through system templates. Integrates 8 digital and 2 universal inputs, and 2 relay outputs.
- 5 Straightforward User Interface**
Immediate status updates for a number of functions: Signal strength, transmission, local service registration, armed/disarmed, AC/battery, on/off.
- 6 Custom User Templates**
Simplify configuration remotely or locally. Optimized for water and wastewater pump applications.
- 7 On-Demand Custom Reporting**
Web-based access anytime to system alarm and status reports. View and export data as you specify with customizable ranges.
- 8 Flexible Alarm Notification**
Instant notification of alarm conditions by voice, SMS, pager, and e-mail.



(WRTU shown at actual size)

web-based interface

monitor — View your system activity on a single, straightforward 'dashboard' screen.

AlarmAgent.com's user-friendly, Web-based interface puts everything you need right at your fingertips. The easy-to-use control panel allows you to access WRTU status, notification order and contact preferences, alarm activity (even across multiple stations), and details of alarm acknowledgment activity. And no additional software is required.



System Dashboard Screen

Review and access alarms from a single screen



WRTU Status Screen

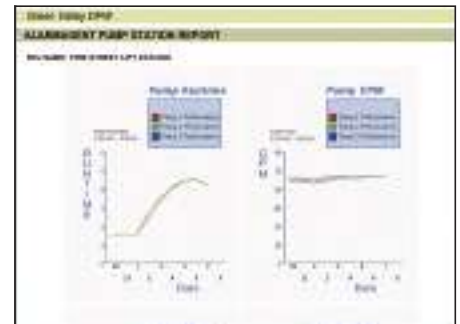
Get the complete status of your WRTUs anytime

report — Generate comprehensive reports on-demand with just the click of a mouse.

AlarmAgent.com gives you immediate access to the custom reporting you need, and creating your reports is simple. We've made it easier than ever for you to generate comprehensive reports and pump-station analyses. The collected data can be analyzed to optimize system efficiency for your operation. The onscreen interface provides

customizable ranges, which allow you to view your data as you specify.

With a few simple clicks, your interface will produce your selected reports, including Pump Runtime, Pump GPM, Pump Starts Ratio, Pump Station Flow, WRTU Commands, Analog Reading, and Arm/Disarm.



Reporting Screen

Analyze data to optimize system efficiency

configure — Easily set and administrate the parameters of your system.

AlarmAgent.com provides extreme flexibility for custom configuration. Add stations. Change alarm parameters. Manage users and update their notification preferences. All this functionality and more is possible through clear instructions and drop-down menus that allow you to manage your selections in just seconds.



WRTU Channel Configuration Screen

Reconfigure channels in seconds



Add a User Screen

Easily change user permissions and preferences

system options

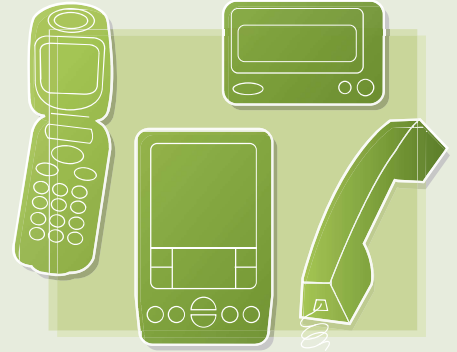
customizable notification

Today's technology allows people to be reached wherever they go. That's why AlarmAgent.com's notification features employ all of today's personal and business communications technology — to help you ensure, and document, that your alarms are received and responded to as quickly as possible.

In an alarm condition, AlarmAgent.com will send notification through cell phone, e-mail, landline, pager, or SMS.

Recipients may acknowledge these alarm notifications during voice calls or through e-mail responses. Users can also proactively respond using a toll-free number or the AlarmAgent.com system dashboard.

On-screen, administrators can easily add users, customize their methods of contact, and determine the proper hierarchy for notification.



flexible service plans

AlarmAgent.com provides several advantages over landline-based service, including lower cost, greater reliability, the ability to go where land-based systems can't, and no cellular provider contract.

AlarmAgent.com is available through a number of service plans, with a variety of

options to suit your specific system requirements. Choose from a range of plans within the Standard, Enhanced Analog, Enhanced Arm/Disarm, and Premium divisions, and select your preferred terms of 1 Year, 2 Years, 3 Years, or Monthly agreement.

Service plans vary by the type of AlarmAgent.com WRTU template you select. A range of variables, such as Digital Input Alarms, Power Failure Alarms, Analog Alarms, certain Reporting details, and others will determine which service plan is right for you.

wide-ranging applications

- Water & Waste
- Electric Utility
- Building Management
- HVAC & Refrigeration
- Equipment Rentals
- Agricultural
- Oil & Gas
- And More



learn more at www.alarmagent.com

Visit our Web site for detailed information such as a full interactive demo, engineering specifications, owner's manual, service agreements, helpful Web links, and more.

specifications

MODELS

AlarmAgent.com Wireless Remote Terminal Units (WRTU) are offered in 4 different models:

AA-102 AlarmAgent.com WRTU with NEMA 1 Enclosure

AA-102OC AlarmAgent.com WRTU with Open Chassis

AA-102NEMA4XP AlarmAgent.com WRTU with NEMA 4X Enclosure and Phantom Antenna

AA-102NEMA4XY AlarmAgent.com WRTU with NEMA 4X Enclosure and Yagi Directional Antenna

ELECTRICAL

Eight Digital Inputs: For connection to dry (unpowered) contacts. Open circuit voltage 5VDC; closed circuit current 2mA DC.

Two Universal Signal Inputs:

Digital: Open circuit voltage 5VDC; closed circuit current 2mA DC.

Analog: 4-20MA, single ended. Maximum voltage drop 2.5 VDC.

Resolution: 0.1%, absolute accuracy is 0.25%.

Two Relay Outputs: Normally Open Relays, 0.5-ampere @ 120VAC

Serial Port: 9 pin D Sub male RS232 configuration port

Battery Backup: 24 hours, 12 volt @ 1.2 Amp Hr

Power Management: System intelligently manages power during power failure.

Power Requirements:

User supplied. The WRTU operates on 12 to 24 VDC power input.

With 12 VDC input, current is 1-ampere peak, 200 mA average.

With 24 VDC input, current is 0.5-ampere peak, 100 mA average.

Battery Charging: Precision voltage controlled to maximize battery life and rapidly recharge the battery after power failure.

Power Failure: Automatic alarm for external power failure and low battery detection.

Power Consumption: 2 watts nominal

Solar Power: The WRTU is operable directly from a 13.6 VDC solar power unit. Average current is 175 ma or less.

Surge Protection:

Digital inputs are opto-isolated and rated at 5,000 volts.

Universal inputs are rated at 600 watts.

Power input is protected to 1,500 watts peak. The fuse is automatically reset.

PHYSICAL

Enclosure:

Open chassis: 9.6" H x 4.0" W x 2.44" D

NEMA 1 enclosure: 9.6" H x 4.35" W x 2.75" D

NEMA 4X enclosure: 11.5" H x 4.33" W x 5.5" D

Mounting Centers:

Open chassis: 3-1/2" x 5-15/16"

NEMA 1 enclosure: 3-1/2" x 6-19/32"

NEMA 4X enclosure: 4" x 8-3/4"

Weight:

Open chassis: 2.4 lbs w/rubber duck antenna

NEMA 1 enclosure: 2.7 lbs w/rubber duck antenna

NEMA 4X enclosure: 5.5 lbs w/Phantom antenna

ENVIRONMENTAL

Temperature range:

Operating, -30 to + 70°C (-22 to +158°F)

Storage, -40 to + 85°C (-40 to +185°F)

Humidity: 0 to 95% non-condensing

COMMUNICATIONS

Bi-directional WRTU communications are handled by the AlarmAgent.com secure server via the wireless cellular network.

SYSTEM CONFIGURATION

The WRTU is configurable via any of three possible means: via dipswitch, via notebook computer connected to the serial port, or wirelessly via AlarmAgent.com. In most cases, a notebook computer connection is not required. By selecting from 4 templates that are optimized for duplex pump stations with or without totalizer and triplex pump stations with or without totalizer, rapid installation and error proof startup are virtually guaranteed. Three additional templates are available for more general applications.

ALARM AND SYSTEM MESSAGES

User defined alarm and system messages are delivered via voice calls, SMS messages, alphanumeric pagers, and e-mail to an unlimited number of user specified destinations. Authorized personnel acknowledge alarms during voice calls via a toll free number, e-mail, or through the AlarmAgent.com Web site.

OPERATOR INTERFACE

The AlarmAgent.com WRTU includes pushbuttons to turn the unit on or off, to arm or disarm the unit, to cause a special Test Call to be generated, and a digital input Accept function to assist in the setup of the WRTU.

LEDs are used extensively throughout to indicate the status of the following subsystems: AC power status, battery status, network service availability, a 10 segment LED bar graph for service signal strength, actively transmitting, test report, customer account status, template setting status, individual input channel state, individual relay output state, and if any channels have exceeded their daily limit of transmissions.

WARRANTY

Three year parts and labor warranty, FOB factory Emeryville, CA

FIELD UPGRADES

AlarmAgent.com WRTU firmware is field upgradeable.

why RACO?

Since 1948, RACO has built a reputation for reliability, innovation, and customer service. We look for the latest breakthroughs, and insist that they meet our standards before introducing them to our customers.

We are proud to put our name on AlarmAgent.com. It joins our complete range of alarm detection and notification systems that are ideal for a variety of applications. From the latest innovations to the trusted industry standards, RACO has a solution to fit your needs.

SINCE 1948
RACO[®]
REMOTE ALARMS AND CONTROLS

www.alarmagent.com

RACO Manufacturing and Engineering Co.

1400-62nd Street
Emeryville, California 94608

510.658.6713 phone
800.722.6999 toll-free
510.658.3153 fax

For information on accessories, go to www.alarmagent.com/products_services.htm

REQUIREMENTS FOR WIRELESS, WEB-BASED MONITORING EQUIPMENT AND SERVICES FOR PUMP STATION APPLICATIONS

MANUFACTURER REQUIREMENTS

The Manufacturer of the equipment and provider of related services shall provide evidence of, and warrant compliance with, substantially all below listed requirements.

The Manufacturer/Service Provider shall have been in business providing remote monitoring services to the water distribution / wastewater collection industry or a substantially similar industry for at least five years.

The submitting Company shall have, on staff, engineering and operational personnel with at least twenty years of combined experience in designing, manufacturing and operating wide area monitoring and alarm products for remote facilities in the Water and Wastewater marketplace.

WIRELESS RTU FIELD EQUIPMENT REQUIREMENTS

The RTU shall be available in the following enclosure options:

Durable Indoor Enclosure
NEMA4X Outdoor Enclosure
Open Chassis (no enclosure)

All three enclosure options shall incorporate all electronics plus the backup battery.

The RTU (Wireless Remote Terminal Unit) shall communicate with a dedicated web site via wireless cellular communications.

A service contract with local cellular carriers shall not be required for RTU operation.

The RTU shall have the following minimum complement of inputs and outputs:

8 Digital Inputs

8 digital inputs monitoring dry (unpowered) contacts. These inputs shall be opto-isolated and surge protected, and shall also be drivable by five volt logic outputs. Open circuit voltage shall be 5 volts; closed circuit current shall be 1.5 milliamperes. All digital inputs shall use a single common return.

2 Universal Analog/Digital Inputs:

2 analog 4-20 ma inputs shall be provided, with 10 bit resolution (0.125%), single ended and surge protected. Absolute accuracy shall be 0.5%. Independent High and Low set points shall be provided for each analog input.

The current loop integrity shall be maintained even when the RTU is turned off. Loop resistance shall be nominally 125 ohms.

The two analog inputs shall be user-configurable to serve as additional digital inputs in lieu of analog, without need for physical settings at the RTU.

Alarm and Return To Normal Reporting

The RTU shall transmit both alarms and returns to normal to the web site. Web site settings shall determine whether actual notifications are delivered to users upon return to normal.

Relay Contact Outputs

2 Normally Open relays. Contacts shall be rated 1/2 ampere @ 120 VAC. These outputs shall be operable on an occasional basis from the web site, in either momentary or maintained mode.

Power Requirements

The RTU shall operate on 12 to 24 VDC power input. With 12 VDC input, current shall be 1 ampere peak; 200 ma. average. With 24 VDC input, current shall be 0.5 ampere peak, 100 ma average. Surge protection shall be 1,500 watts peak. The fuse shall reset automatically.

Solar Power

The RTU shall be operable in a reduced solar power mode. Average current in this mode shall be 60 ma or less. The RTU shall not power down in the solar power mode, allowing it to be contacted by the web site at all times.

Backup Battery

The RTU shall incorporate a sealed lead-acid backup battery contained within the enclosure. The battery shall be automatically charged, providing 24 hours nominal backup time. All enclosure options shall accommodate the battery internally.

Upon power failure, the battery shall maintain RTU operation continuously until it reaches a fixed discharge level or until power is restored. The RTU shall not power down during power failure, allowing it to be contacted via the web site at any time, even during power failures.

Environmental

The operating temperature range shall be -30 to + 70 °C (-22 to +158 °F)
The storage temperature range shall be -40 to + 85 °C (-40 to +185 °F)
Allowable humidity shall be 0 to 95% non condensing.

Physical

The RTU shall have the following overall dimensions:

Open chassis version	9.6"H x 4.0" W x 2.44" D
Indoor enclosure version	9.6"H x 4.35" W x 2.75" D
NEMA4X enclosure version	8.1"H x 4.33" W x 5.5" D

A DIN rail mounting kit shall be available for vertical mounting of the Open Chassis and Indoor Enclosure versions.

Wiring Connections

All wiring connections shall be via unpluggable screw-clamp terminal blocks which accommodate 16 to 26 AWG wire.

For pump station monitoring, the primary signal wiring connections shall be dry contact inputs reflecting the on/off state of each pump. No other input connections shall be required to provide all the pump monitoring functions described below.

Optional Remote Arm/Disarm Module

An optional separate remote Arm/Disarm module shall be available, which shall include its own pushbutton switch along with LED indication of the present Armed/Disarmed (maintenance mode) state of the RTU. Connection shall be via 3-conductor cable to an unpluggable terminal block. Operable distance shall be up to 5,000 feet.

Serial Port with VT-100 User Interface

The RTU shall include an RS-232 serial port incorporating VT-100 terminal emulation via a standard D-9 connector, providing a convenient user-navigated, menu driven interface as an optional method of user configuration.

User Configuration

The basic RTU configuration items shall be performable via local switch settings on the RTU, via the Serial Port on the RTU, or remotely via the web site.

With all digital inputs in their non-alarm state, pressing an “accept” pushbutton on the RTU shall automatically set the open/closed alarm criteria for each input.

The RTU shall at the user’s option be configurable from the web site without need to visit the RTU.

Test Call Feature:

A Test Call Button shall be included on the RTU. When a test call phone number has been entered by the user at the web site, pressing the Test Call Button shall result in a special phone call being placed to that phone number. The call shall include indication of the signal strength as received at the local cellular tower.

Continuous Signal Strength Indicator

A 10-element bar graph shall provide continuous detailed indication of received radio signal strength without reliance upon counting LED flashes or similar schemes.

LED Indicators

LED indications shall include, in addition to the Continuous Signal Strength Indicator:

Input state for each digital input
Output Relay(s) activated
RTU on/off
RTU Armed/Disarmed
Battery charge state
Transmitting state
Primary power input present

Radio status
Account status
Alarm status
Violation status (an input is in violation but has not yet tripped into Alarm)
Dither Suppression status
Test Button Ready status

Suppression of Dithering Alarm Inputs:

The RTU shall incorporate means to suppress alarm reports arising from any given input going in and out of alarm repeatedly. Such suppression shall apply only to the input involved. Notification shall be provided when such suspensions occur. Such suppressions will automatically clear after 24 hours or when manually cleared at the RTU.

Pumping Station Performance Reports:

The RTU shall automatically generate daily reports of the following pumping station performance parameters, presented at the web site, in both tabular and visual/graphic formats:

- Run time for each pump, both daily and cumulative
- Run time ratio between pumps
- Number of starts for each pump
- Starts Ratio between pumps
- GPM output for each pump
- Total station flow without need for flowmeters.
- Hours with two pumps running simultaneously (2-pump stations only)
- Hours to Maintenance based upon cumulative run times (two tracks per pump)

Pump Performance Alarm

Independent of the daily reports, the RTU shall promptly and automatically generate Alarm Notifications upon sudden sustained drop in GPM performance of any pump. The sensitivity of this alarm function shall be user configurable to allow for variation in conditions between pumping stations.

In-Field Firmware Upgrade Feature

Future firmware enhancements of the operating features of the RTU shall at user's option be implemented by temporarily plugging in a disposable upgrade module provided by the RTU manufacturer.

Application Templates

To simplify configuration, the RTU shall provide the following Application Template settings according to the pumping station setup:

Template #	# of pumps monitored	Reports Pulse flowmeter* Totals	Reports Hours with 2 pumps running	Additional digital inputs available	Analog/digital inputs available
1	2	No	Yes	6	2
2	2	Yes	Yes	5	2
3	3	No	No	5	2
4	3	Yes	No	4	2

*Alternatively, rain gauge pulses may be reported.

The maximum pulse input rate shall be 10 Hz at 50% duty cycle. The minimum pulse closure time shall be 50 milliseconds.

Other General Purpose Application Templates

Other Application Templates shall also be selectable for General Purpose monitoring applications, incorporating various configurations of pulse-counting, time accumulation, digital and analog inputs.

Service Levels:

The Following Service Levels shall be available:

	Pump Performance Reports	Max "RTU commands" per month	Analog Readings Report	Arm/Disarm Report Time Stamped
Standard	Yes	5	No	No
Enhanced	Yes	10	Yes	No
Enhanced AD	Yes	10	No	Yes
Premium	Yes	15	Yes	Yes

Alternative custom service levels shall also be available to fit particular application needs.

Notes:

- 1) An "RTU command" shall mean a web-initiated poll of the RTU, an output relay command, or a web-initiated configuration change.
- 2) When allowed by the Service Level, up to 14 arm/disarm events per day shall be reported with time and date stamps. Otherwise, armed and disarmed state is reported as of the time of the daily scheduled report.

3) Optional Analog Reading Reports shall consist of the current value as well as minimum, maximum and average values for the reporting period. This Analog Readings Report shall not be required in order to set analog threshold values for alarms and receive alarm notifications based upon exceeding those thresholds.

Limited Warranty

The Manufacturer shall provide a three year limited warranty on all equipment provided.

Equipment Designation:

The RTU shall be AlarmAgent Model AA-102 as provided by Raco Manufacturing and Engineering, Emeryville, CA 94608 (510) 658 6713, or approved equivalent.

WEB SITE, SERVER AND NOTIFICATION REQUIREMENTS

The Web Site associated with the RTU shall be implemented on a tripple-redundant multiple server system with immediate failover, load leveling and hot standby firewall. Servers shall be located in a highly secure facility which includes a seamless Uninterruptible Power Supply (UPS).

Private information is protected over the internet. All pages are encrypted with 128-bit encryption utilizing SSL (Secure Sockets Layer) with an SSL Certificate from a major Certificate Authority (CA).

Access to the Web Site shall be secured by individual user logon names and passwords. The user may optionally establish individual user PINs which, if implemented, will be required to acknowledge alarm notifications and to access the AlarmAgent system by call-in to a toll free telephone number.

The Web Site shall allow two access levels: Users and Customer System Administrators (CSAs).

The Web Site shall allow all users to do the following:

View a "System Dashboard" which provides an overview of any alarms, acknowledged alarms and other special status conditions of all RTUs in the system. This shall include a list of any RTUs which are Off Line or Disarmed.

Generate and view reports for each RTU in the system. Available reports for all users shall include Pump Performance, Analog Reading, Status History and Arm/Disarm reports.

Pump Performance Reports shall present critical pump performance data for each selected RTU over a selected span of time in both tabular and graphic form. The data presented shall include:

Daily and cumulative Run Time for each pump
Ratios of daily run times
Daily number of starts for each pump
Ratios of number of starts
Calculated GPM performance of each pump
Calculated Station Flow without need for flowmeters at the pump station
Time Until Maintenance Due (based upon cumulative run times, two tracks)
Daily Hours with 2 pumps running (two pump stations only)

The graphs shall be designed such that any significant emerging anomalies in pump operation (gpm, starts, etc.) shall stand out visually at a glance.

The Web site shall provide “Next RTU” functionality so that the user can view these key graphs in immediate succession for all RTUs in the system.

RTU Status Reports shall present all relevant status details for each selected RTU, including but not limited to the state of each channel. Indications shall be color-coded for rapid review.

Event Logs shall include all events related to the Web Site and each RTU, including a time and date stamped log of user Web Site call-ins and logins, alarm events, notifications, acknowledgements, configuration changes by user.

Advanced CSA functions:

Users designated as CSAs may perform the following advanced functions:

Establish, edit and maintain a list of system users who will be eligible to access the Web Site and receive alarm notifications.

Establish and edit notification data (Phone numbers, email, etc) and optional PINs for each user.

Assign selected users into Notification Groups which can then be linked to specific selected alarm channels on specific selected RTUs.

Establish a Notification Sequence for each Notification Group, designating which group members are to be notified in which order, when a linked alarm event occurs. This shall include the ability to configure the time interval between each successive notification in the sequence.

Configure alarm trip delays, relay output states and the time of day for daily scheduled reports from the RTU.

Configure whether returns to normal will cause notifications to users, and whether returns to normal shall clear the status of the related alarm

Configure whether Snooze Alarms will be enabled and the number of hours for the alarm to be re-notified if the alarm condition still exists. If enabled, recipients of voice notifications may choose between regular acknowledgement or acknowledgement with Snooze.

Configure alarm criteria, notification and report messages and Notification Group linkages for each input channel on the RTU, as well as analog alarm set points for analog channels.

Configure the report scaling for analog inputs using any of five different methods:

Percentage (0-100%)

Raw converter counts (0-1023)

Milliampere reading (4-20 ma)

Custom scaling by entry of gain and offset values

Custom scaling by entry of two known pairs of signal level and reading values

Notifications:

Notifications shall be selectable by the CSA in any combination of voice phone calls, SMS Text Messages, pagers, or email.

Voice notifications shall use a high-quality text-to-voice functionality so that the name of each RTU station and specific messages entered for each input channel for each RTU shall be included in voice notification calls.

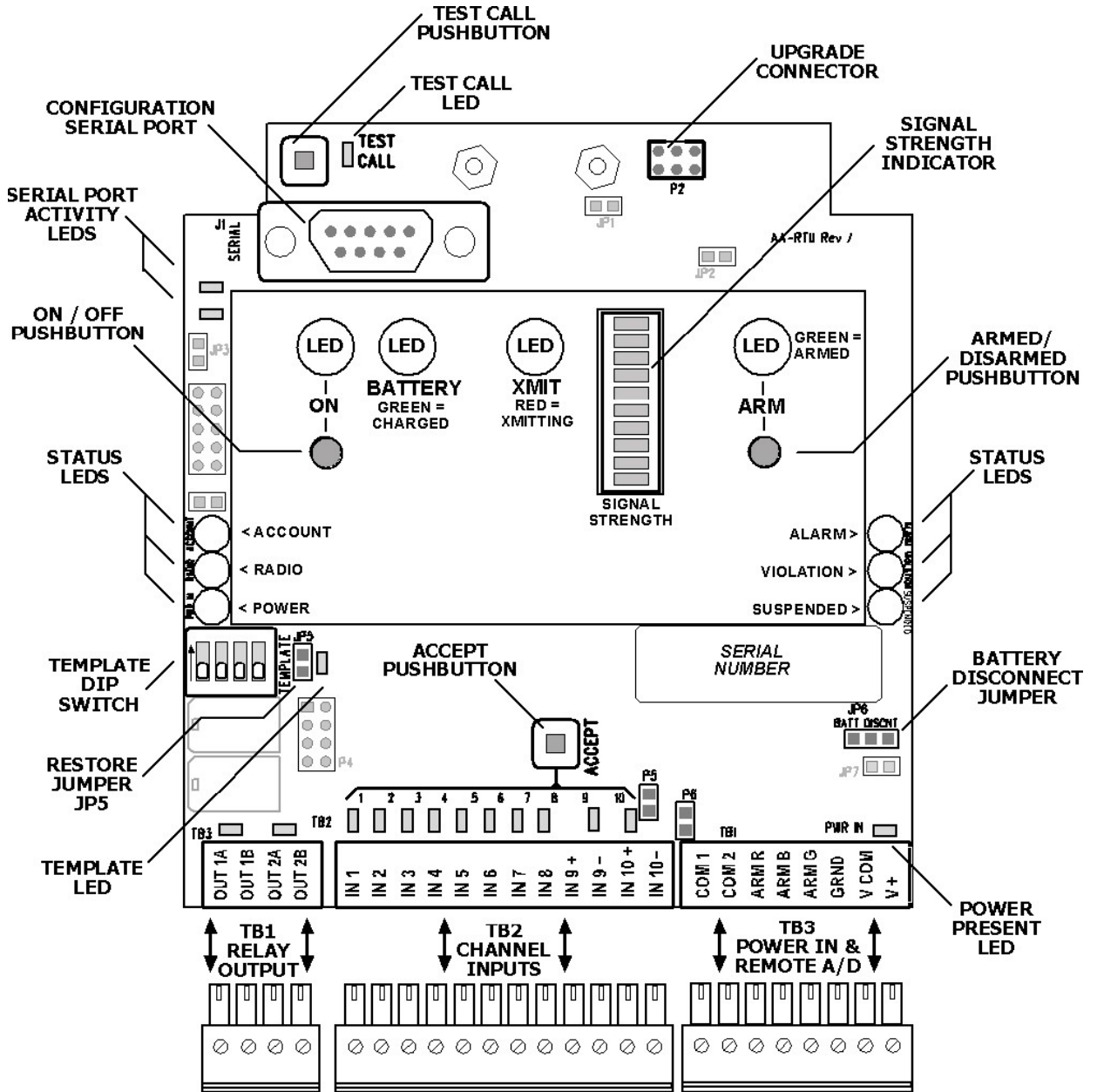
Notifications shall continue indefinitely until acknowledged, and shall be re-initiated if so configured per the Snooze Alarm feature described above.



AlarmAgent WRTU

- Indoor Enclosure Model Shown -

Overview of the AlarmAgent WRTU user interface indicators and pushbuttons. Described in detail later in the manual.



AlarmAgent WRTU

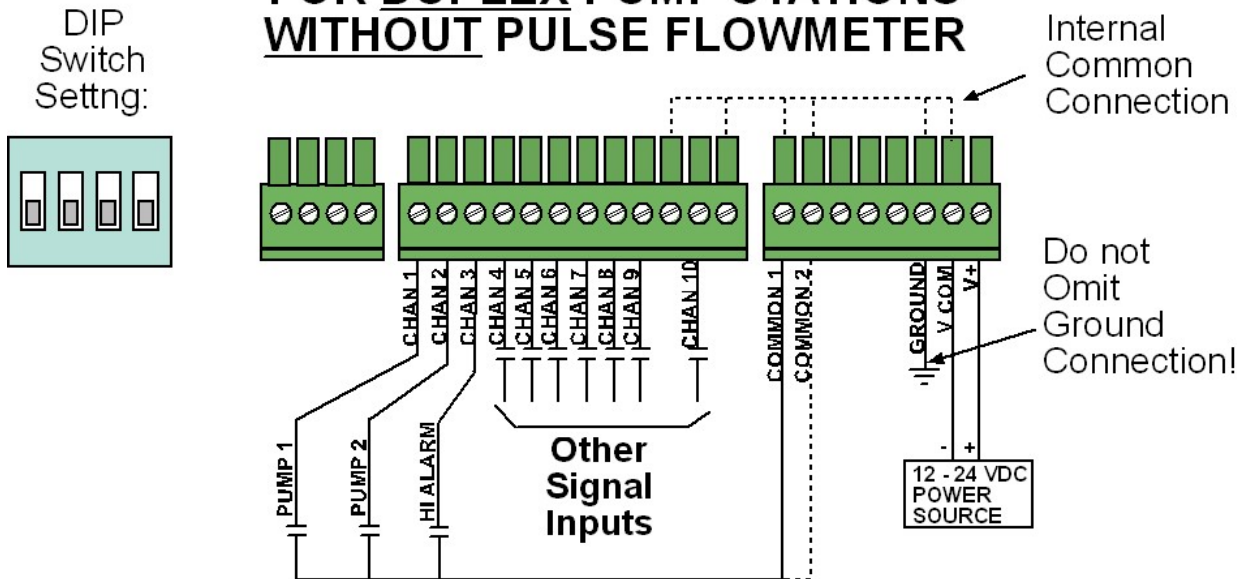
- Interior View -

Overview of the AlarmAgent WRTU circuit board's components and functions. Described in detail later in the manual.

Appendix D: Signal Input wiring for each Application Template

TEMPLATE 1 WIRING

FOR DUPLEX PUMP STATIONS WITHOUT PULSE FLOWMETER



NOTES:

- Dry (non-powered) contact inputs only!
- Pump 1 Input: Closed when Pump 1 runs.
- Pump 2 Input: Closed when pump 2 runs.
- High (or low) level alarm can be either Normally Closed or Normally Open.
- To use Channels 9 or 10 as analog inputs, see separate diagram.
- Ground connection is important for surge protection.
- Terminals accommodate #16 to #26 wire size.

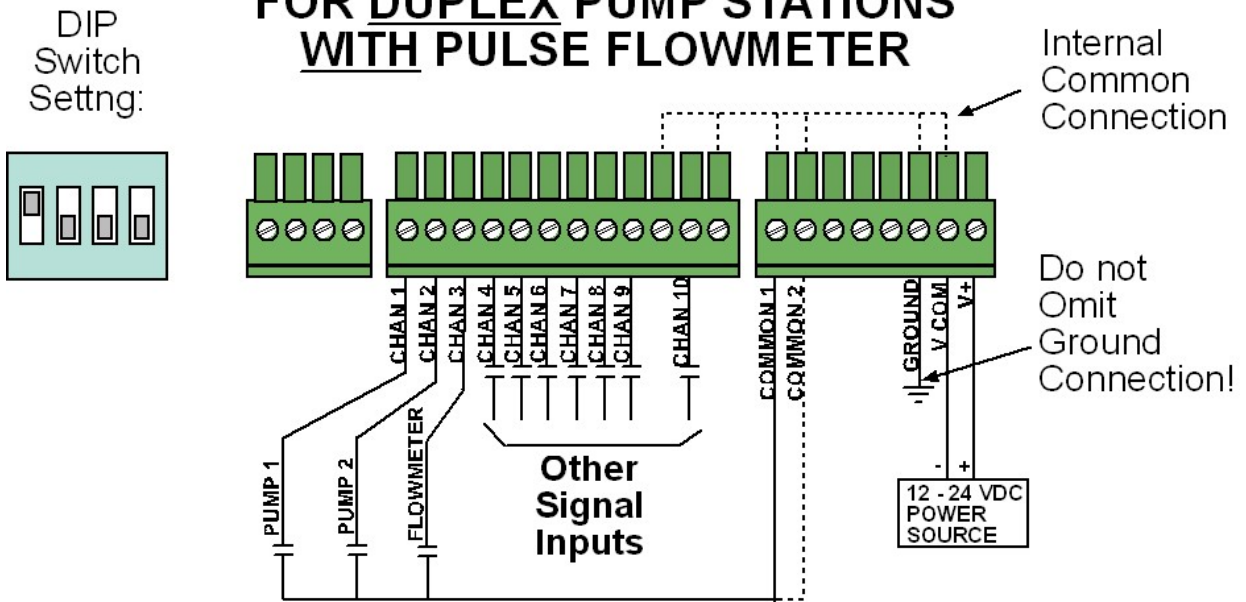
WIRING INSTRUCTIONS FOR TEMPLATE 1:

- 1) Turn WRTU on, and Disarm it (so that the right hand Arm/Disarm LED blinks).
- 2) Designate (identify) a Pump 1 and Pump 2 for the purposes of AlarmAgent monitoring.
- 3) Verify that all contact inputs are dry (un-powered). Otherwise, WRTU will be damaged.
- 4) Connect contact inputs for Pump 1, Pump 2 and a high (or low) level float switch or other signal source
- 5) Connect any other desired inputs to channels 4 through 10 See separate instructions and diagram for using Channels 9 and 10 as analog inputs.
- 6) Place any contact inputs to Channels 4 through 10 in their normal, non-alarm state. Press the ACCEPT BUTTON. This automatically configures Channels 4 through 10 to alarm on the opposite input state.
- 7) TEST WIRING! Verify the following:
 - a) Channel 1 LED activates when Pump 1 runs.
 - b) Channel 2 LED activates when Pump 2 runs.
 - c) When High (or Low) alarm switch is tripped, Channel 3 LED responds accordingly. It should activate whenever the switch is closed.

Test wiring for any remaining inputs by manipulating their state and verifying that the corresponding Channel LED activates when the input is closed (and deactivates when the input is open).

TEMPLATE 2 WIRING

FOR DUPLEX PUMP STATIONS WITH PULSE FLOWMETER



NOTES:

- Dry (non-powered) contact inputs only!
- Pump 1 Input: Closed when Pump 1 runs.
- Pump 2 Input: Closed when pump 2 runs.
- Totalizer pulses must be at least 50 milliseconds (.05 seconds) duration, 10 pulses per second maximum
- To use Channels 9 or 10 as analog inputs, see separate diagram.
- Ground connection is important for surge protection.
- Terminals accommodate #16 to #26 wire size.

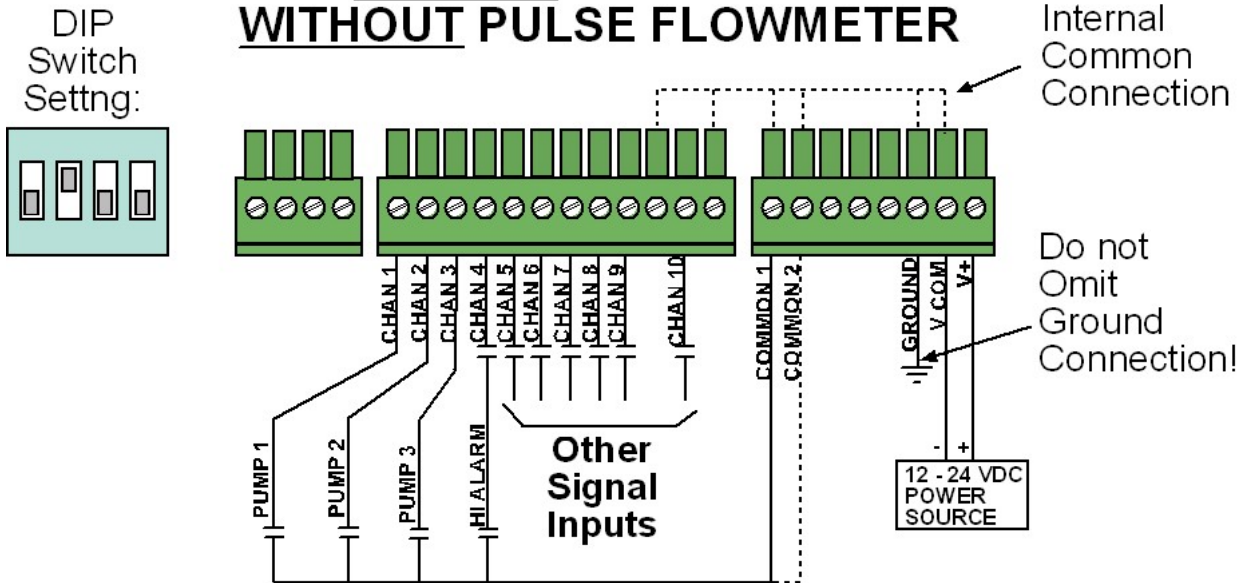
WIRING INSTRUCTIONS FOR TEMPLATE 2:

- 1) Turn WRTU on, and Disarm it (so that the right hand Arm/Disarm LED blinks).
- 2) Designate (identify) a Pump 1 and Pump 2 for the purposes of AlarmAgent monitoring.
- 3) Verify that all contact inputs are dry (non-powered). Otherwise, WRTU will be damaged.
- 4) Connect contact inputs for Pump 1, Pump 2 and totalizer
- 5) Connect any other desired inputs to channels 4 through 10 See separate instructions and diagram for using Channels 9 and 10 as analog inputs.
- 6) Place any contact inputs to Channels 4 through 10 in their normal, non-alarm state. Press the ACCEPT BUTTON. This automatically configures Channels 4 through 10 to alarm on the opposite input state.
- 7) TEST WIRING! Verify the following:
 - a) Channel 1 LED activates when Pump 1 runs.
 - b) Channel 2 LED activates when Pump 2 runs.
 - c) Channel 3 LED pulses on and off when flow is occurring through the flowmeter.

Test wiring for any remaining inputs by manipulating their state and verifying that the corresponding Channel LED activates when the input is closed (and deactivates when the input is open).

TEMPLATE 3 WIRING

FOR TRIPLEX PUMP STATIONS WITHOUT PULSE FLOWMETER



NOTES:

- Dry (non-powered) contact inputs only!
- Pump 1 Input: Closed when Pump 1 runs.
- Pump 2 Input: Closed when pump 2 runs.
- Pump 3 Input: Closed when pump 3 runs.
- To use Channels 9 or 10 as analog inputs, see separate diagram.
- Ground connection is important for surge protection.
- Terminals accommodate #16 to #26 wire size.

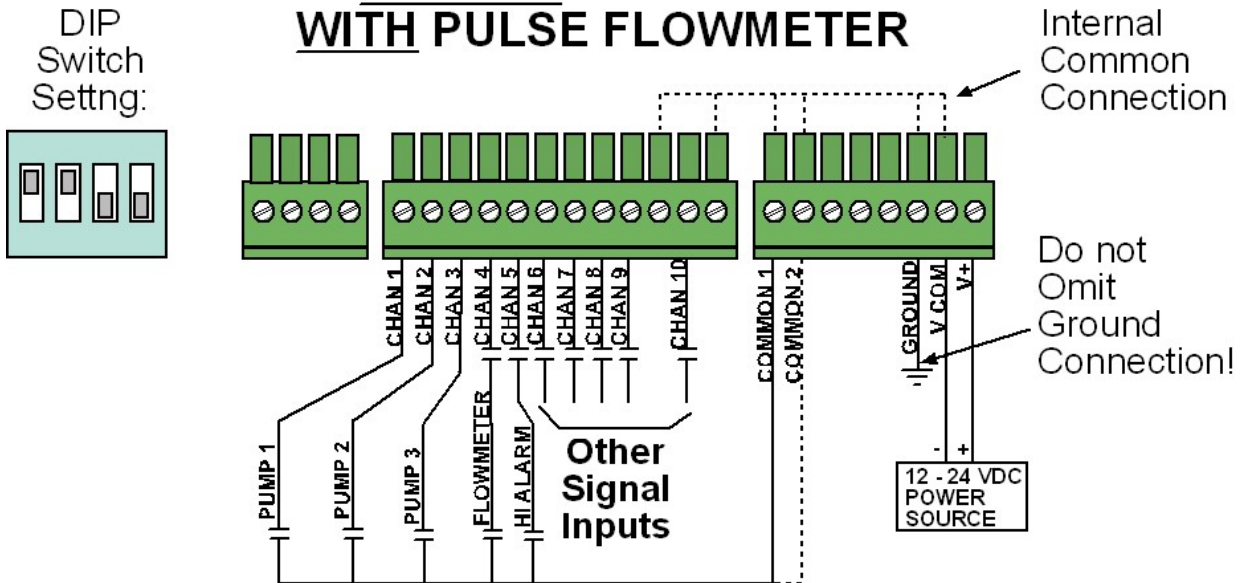
WIRING INSTRUCTIONS FOR TEMPLATE 3:

- 1) Turn WRTU on, and Disarm it (so that the right hand Arm/Disarm LED blinks).
- 2) Designate (identify) a Pump 1, Pump 2 and Pump 3 for the purposes of AlarmAgent monitoring.
- 3) Verify that all contact inputs are dry (non-powered). Otherwise, WRTU will be damaged.
- 4) Connect contact inputs for Pump 1, Pump 2 and Pump 3.
- 5) Connect any other desired inputs to channels 4 through 10 See separate instructions and diagram for using Channels 9 and 10 as analog inputs.
- 6) Place any contact inputs to Channels 4 through 10 in their normal, non-alarm state. Press the ACCEPT pushbutton. This automatically configures Channels 4 through 10 to alarm on the opposite input state.
- 7) TEST WIRING! Verify the following:
 - a) Channel 1 LED activates when Pump 1 runs.
 - b) Channel 2 LED activates when Pump 2 runs.
 - c) Channel 3 LED activates when Pump 3 runs.

Test wiring for any remaining inputs by manipulating their state and verifying that the corresponding Channel LED activates when the input is closed (and deactivates when the input is open).

TEMPLATE 4 WIRING

FOR TRIPLEX PUMP STATIONS WITH PULSE FLOWMETER



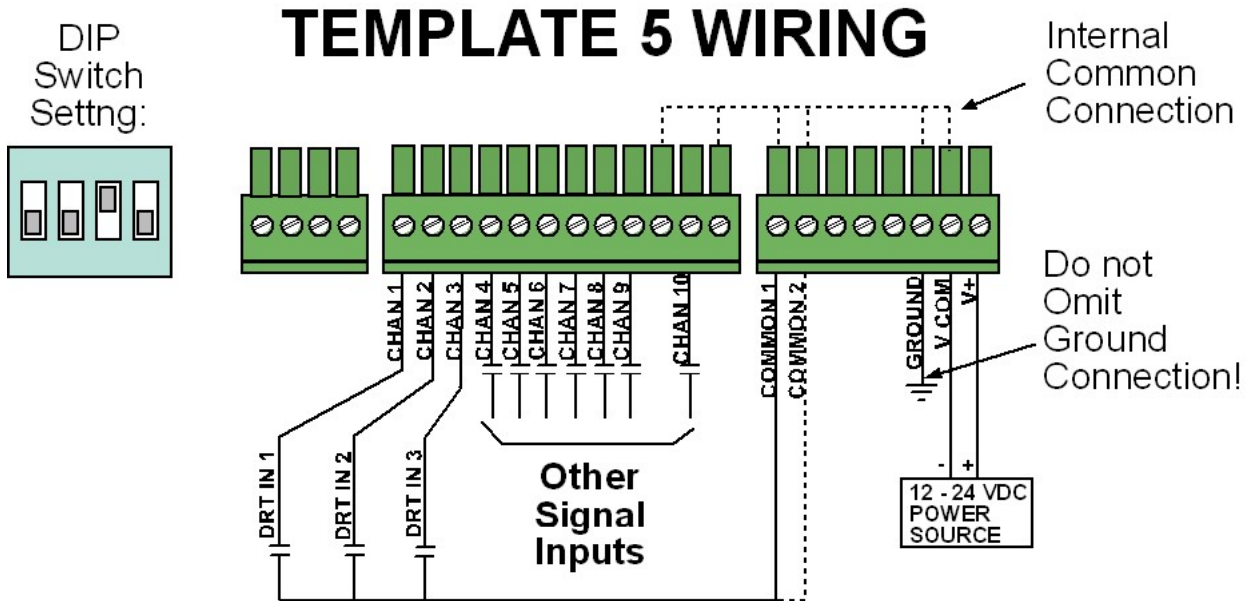
NOTES:

- Dry (non-powered) contact inputs only!
- Pump 1 Input: Closed when Pump 1 runs.
- Pump 2 Input: Closed when pump 2 runs.
- Pump 3 Input: Closed when pump 3 runs.
- Channel 4: Digital Pulse Flowmeter input must have minimum closure duration of 50 milliseconds and pulse rate less than 10 pulses per second. 5 volt logic outputs can be used.
- To use Channels 9 or 10 as analog inputs, see separate diagram.
- Ground connection is important for surge protection.
- Terminals accommodate #16 to #26 wire size.

WIRING INSTRUCTIONS FOR TEMPLATE 4:

- 1) Turn WRTU on, and Disarm it (so that the right hand Arm/Disarm LED blinks).
- 2) Designate (identify) a Pump 1, Pump 2 and Pump 3 for the purposes of AlarmAgent monitoring.
- 3) Verify that all contact inputs are dry (non-powered). Otherwise, WRTU will be damaged.
- 4) Connect contact inputs for Pump 1, Pump 2 and Pump 3.
- 5) Connect digital pulse flowmeter input to Channel 4.
- 6) Connect any other desired inputs to channels 5 through 10. See separate instructions and diagram for using Channels 9 and 10 as analog inputs.
- 7) Place any contact inputs to Channels 5 through 10 in their normal, non-alarm state. Press the ACCEPT pushbutton. This automatically configures Channels 4 through 10 to alarm on the opposite input state.
- 8) TEST WIRING! Verify the following:
 - a) Channel 1 LED activates when Pump 1 runs.
 - b) Channel 2 LED activates when Pump 2 runs.
 - c) Channel 3 LED activates when Pump 3 runs.
 - d) Channel 4 LED pulses when flow through flowmeter is occurring

Test wiring for any remaining inputs by manipulating their state and verifying that the corresponding Channel LED activates when the input is closed (and deactivates when the input is open).



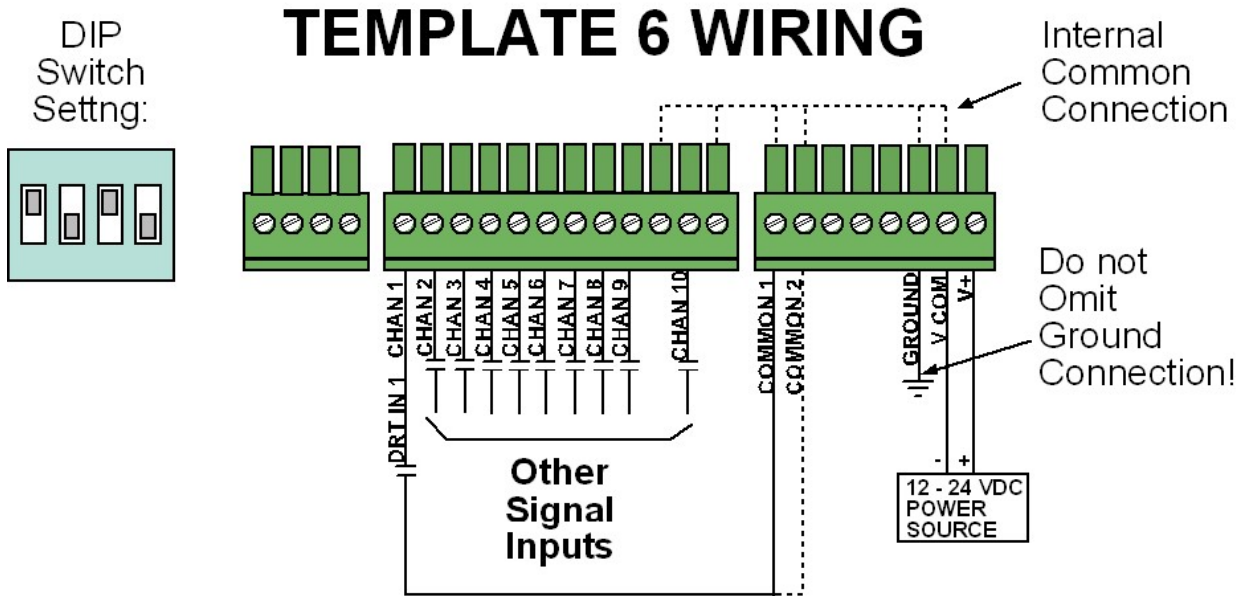
NOTES:

- Dry (non-powered) contact inputs only!
- Channels 1, 2 and 3 may be independently configured for pulse totalizing, run time accumulation or simple digital inputs, using advanced configuration via the serial port or via the web site.
- To use Channels 9 or 10 as analog inputs, see separate diagram.
- Ground connection is important for surge protection.
- Terminals accommodate #16 to #26 wire size.

WIRING INSTRUCTIONS FOR TEMPLATE 5:

- 1) Turn WRTU on, and Disarm it (so that the right hand Arm/Disarm LED blinks).
- 2) Connect input wiring as needed per the above diagram.
- 3) Place all inputs in their normal, non-alarm state. Press the ACCEPT pushbutton. This automatically configures inputs to alarm on the opposite input state.
- 4) If any inputs (such as run time or totalizer inputs) are to be non-alarmed, after using the Accept pushbutton, configure those inputs as Status Only via the serial port or via the web site.

- 5) TEST WIRING! Test input wiring by manipulating the state of inputs and verifying that the corresponding Channel LED activates when the input is closed (and deactivates when the input is open).



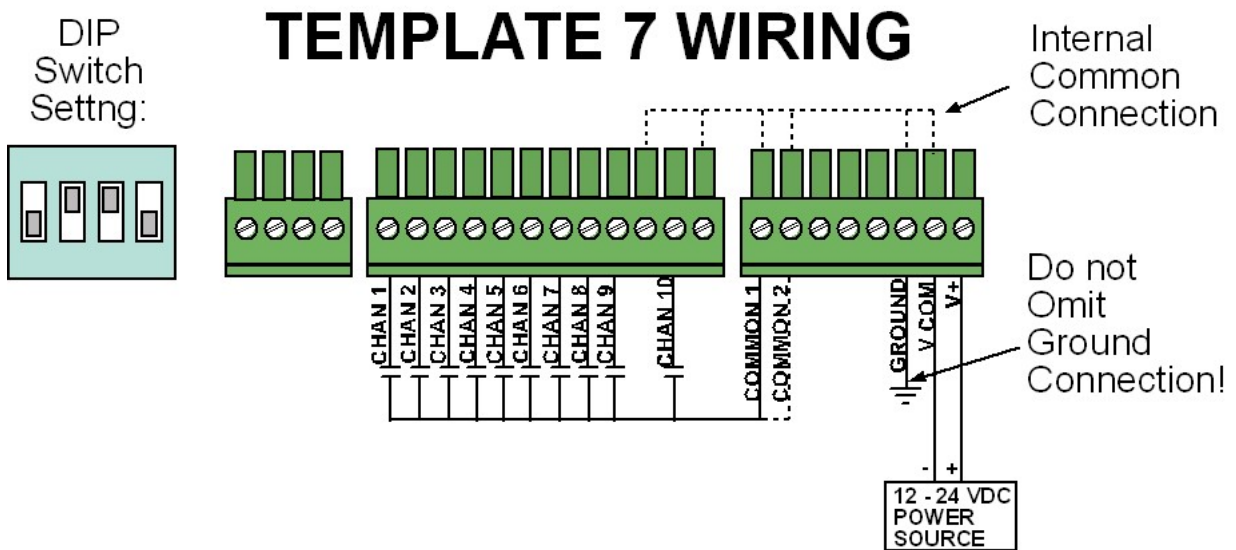
NOTES:

- Dry (non-powered) contact inputs only!
- Channel 1 may be independently configured for pulse totalizing, run time accumulation or simple digital inputs, using advanced configuration via the serial port or via the web site.
- To use Channels 9 or 10 as analog inputs, see separate diagram.
- Ground connection is important for surge protection.
- Terminals accommodate #16 to #26 wire size.

WIRING INSTRUCTIONS FOR TEMPLATE 6:

- 1) Turn WRTU on, and Disarm it (so that the right hand Arm/Disarm LED blinks).
- 2) Connect input wiring as needed per the above diagram.

- 3) Place all inputs in their normal, non-alarm state. Press the ACCEPT pushbutton. This automatically configures inputs to alarm on the opposite input state.
- 4) If any inputs (such as run time or totalizer input on channel 1) are to be non-alarming, after using the Accept pushbutton, configure those inputs as Status Only via the serial port or via the web site.
- 5) TEST WIRING! Test input wiring by manipulating the state of inputs and verifying that the corresponding Channel LED activates when the input is closed (and deactivates when the input is open).



NOTES:

- Dry (non-powered) contact inputs only!
- To use Channels 9 or 10 as analog inputs, see separate diagram.
- Ground connection is important for surge protection.
- Terminals accommodate #16 to #26 wire size.

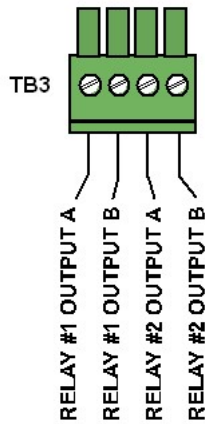
WIRING INSTRUCTIONS:

- 1) Turn WRTU on, and Disarm it (so that the right hand Arm/Disarm LED blinks).
- 2) Connect input wiring as needed per the above diagram.
- 3) Place all inputs in their normal, non-alarm state. Press the ACCEPT pushbutton. This automatically configures inputs to alarm on the opposite input state.

- 4) If any inputs are to be non-alarming, after using the Accept pushbutton, configure those inputs as Status-Only via the serial port or via the web site.
- 5) **TEST WIRING!** Test input wiring by manipulating the state of inputs and verifying that the corresponding Channel LED activates when the input is closed (and deactivates when the input is open).

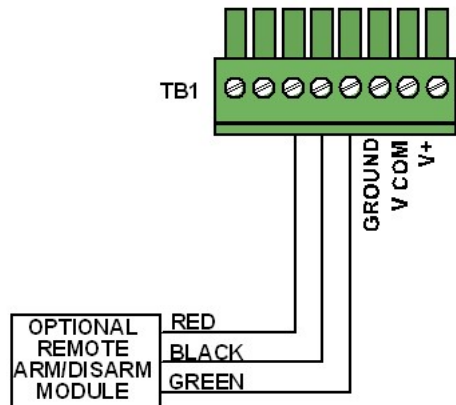
Appendix E: AlarmAgent™ Analog Input, Relay Output and Remote Arm/Disarm Module Wiring Connections

OPTIONAL RELAY OUTPUT CONNECTIONS

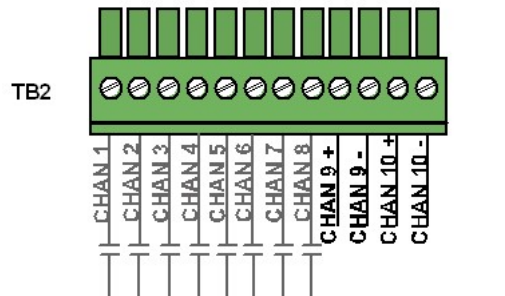


MAX CURRENT 0.5A
 @ 120 VAX OR 24 VDC

OPTIONAL REMOTE ARM/DISARM CONNECTIONS



USING CHANNELS 9 AND 10 AS ANALOG INPUTS:



CONNECT TO 4-20 MA SIGNAL SOURCES.
 INPUTS ARE SINGLE ENDED, MEANING THE COMMON SIDE OF EACH IS INTERNALLY CONNECTED TO COMMON GROUND. THIS MEANS THAT NO OTHER POINT IN THE LOOP SHOULD BE GROUNDED.

NOTE: THE DEFAULT CONFIGURATION FOR CHANNELS 9 & 10 IS DIGITAL INPUT, ALARMING ON CLOSED CIRCUIT.

TO USE ANALOG INPUTS, THE CHANNEL(S) MUST BE CONFIGURED AS ANALOG INPUTS VIA THE SERIAL PORT OR VIA THE WEB SITE.

Appendix F: AlarmAgent™ WRTU Specification

MODELS

AlarmAgent.com Wireless Remote Terminal Units (WRTU) are offered in 4 different models:

AA-102 AlarmAgent.com WRTU with NEMA 1 Enclosure

AA-102OC AlarmAgent.com WRTU with Open Chassis

AA-102NEMA4XP AlarmAgent.com WRTU with NEMA 4X Enclosure and Phantom Antenna

AA-102NEMA4XY AlarmAgent.com WRTU with NEMA 4X Enclosure and Yagi Directional Antenna

ELECTRICAL

Eight Digital Inputs: For connection to dry (unpowered) contacts. Open circuit voltage 5VDC; closed circuit current 2mA DC.

Pulse Totalizing: Minimum closed pulse width 50 milliseconds; maximum pulse rate 10 pps.

Two Universal Signal Inputs:

Digital: Open circuit voltage 5VDC; closed circuit current 2mA DC.

Analog: 4-20MA, single ended. Maximum voltage drop 2.5 VDC.

Resolution: 0.1%, absolute accuracy is 0.25%.

Two Relay Outputs: Normally Open Relays, 0.5-ampere @ 120VAC

Serial Port: 9 pin D Sub male RS232 configuration port

Battery Backup: 24 hours, 12 volt @ 1.2 Amp Hr

Power Management: System intelligently manages power during power failure.

Power Requirements:

User supplied. The WRTU operates on 12 to 24 VDC power input.

With 12 VDC input, current is 1-ampere peak, 200 mA average.

With 24 VDC input, current is 0.5-ampere peak, 100 mA average.

Battery Charging: Precision voltage controlled to maximize battery life and rapidly recharge the battery after power failure.

Power Failure: Automatic alarm for external power failure and low battery detection.

Power Consumption: 2 watts nominal

Solar Power: In solar power mode, average current is 60 ma @ 12 VDC (0.72 watts)

Surge Protection:

Digital inputs are opto-isolated and rated at 5,000 volts.

Universal inputs are rated at 600 watts.

Power input is protected to 1,500 watts peak. The fuse is automatically reset.

PHYSICAL

Enclosure:

Open chassis: 9.6" H x 4.0" W x 2.44" D

NEMA 1 enclosure: 9.6" H x 4.35" W x 2.75" D

NEMA 4X enclosure: 11.5" H x 4.33" W x 5.5" D

Mounting Centers:

Open chassis: 3-1/2" x 5-15/16"

NEMA 1 enclosure: 3-1/2" x 6-19/32"

NEMA 4X enclosure: 4" x 8-3/4"

Weight:

Open chassis: 2.4 lbs w/rubber duck antenna

NEMA 1 enclosure: 2.7 lbs w/rubber duck antenna

NEMA 4X enclosure: 5.5 lbs w/Phantom antenna

ENVIRONMENTAL

Temperature range:

Operating, -30 to + 70°C (-22 to +158°F)

Storage, -40 to + 85°C (-40 to +185°F)

Humidity: 0 to 95% non-condensing

COMMUNICATIONS

Bi-directional WRTU communications are handled by the AlarmAgent.com secure server via the wireless cellular network.

SYSTEM CONFIGURATION

The WRTU is configurable via any of three possible means: via dipswitch, via notebook computer connected to the serial port, or wirelessly via AlarmAgent.com. In most cases, a notebook computer connection is not required. By selecting from 4 templates that are optimized for duplex pump stations with or without totalizer and triplex pump stations with or without totalizer, rapid installation and error proof startup are virtually guaranteed. Three additional templates are available for more general applications.

ALARM AND SYSTEM MESSAGES

User defined alarm and system messages are delivered via voice calls, SMS messages, alphanumeric pagers, and e-mail to an unlimited number of user specified destinations. Authorized personnel acknowledge alarms during voice calls via a toll free number, e-mail, or through the AlarmAgent.com Web site.

OPERATOR INTERFACE

The AlarmAgent.com WRTU includes pushbuttons to turn the unit on or off, to arm or disarm the unit, to cause a special Test Call to be generated, and a digital input Accept function to assist in the setup of the WRTU.

LEDs are used extensively throughout to indicate the status of the following subsystems: AC power status, battery status, network service availability, a 10 segment LED bar graph for service signal strength, actively transmitting, test report, customer account status, template setting status, individual input channel state, individual relay output state, and if any channels have exceeded their daily limit of transmissions.

WARRANTY

Three year parts and labor warranty, FOB factory Emeryville, CA

FIELD UPGRADES

AlarmAgent.com WRTU firmware is field upgradeable.

